

3.2.1.9 900-1700nm - InGaAs NIR Camera

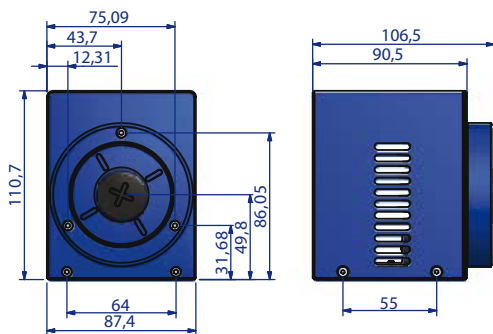
Models XC-130 100Hz

Features

- NIR performance at room temperature
- High resolution InGaAs array: 320x256
- 60dB true system dynamic range
- Exclusive Ultracal for ISO conforming accuracy
- Available with BeamGage software



XEVA 100Hz



USB Cameras for use with Laptop or Desktop PC

Model XEVA XC-130	Description
Application	NIR wavelengths, high resolution, ROI and binning
Spectral response	900-1700nm (consult factory for other options)
Element pitch	30µm square
Number or elements	320 x 256
Area	9,6 x 7,6mm
Lens	C-mount, (Optional)
Minimum system dynamic range	low gain 68dB, high gain 60dB
Frame rate	100 Hz ⁽¹⁾
Non-uniformity correction	2-Point correction plus bad pixel correction, NUC files provided
Snap-shot mode	Via external TTL trigger, cable provided
Exposure control	1us to 400 sec in Low Gain mode
Imager Cooling	Thermoelectric cooler plus forced convection
Ambient operating temperature	0 - 50° C
Dimensions, mm, HxWxD	111 x 87 x 107 mm
Weight, camera head	approx. 1.8 kg
Software supported	BeamGage
PC interface	USB 2.0, special cable provided
Note:	(1) The uncorrected rate, final corrected rate will be less.