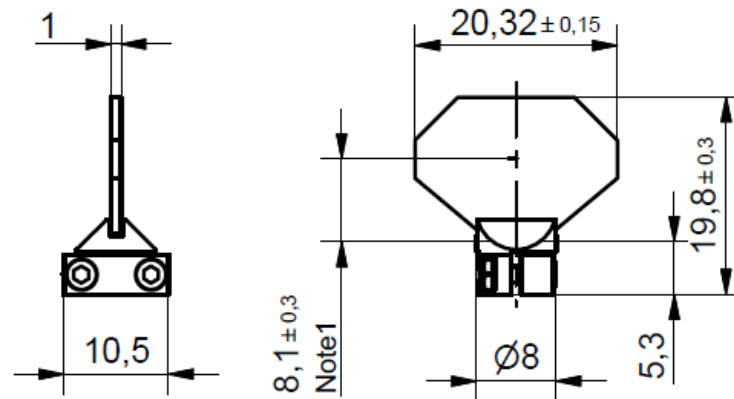


X 10 FLAT optoSiC+inclusiv glued mount for 5mm shaft

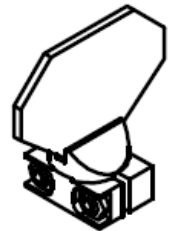
$J = 0,351\text{g}\cdot\text{cm}^2$
 $M = 1,78\text{g}$



Mirror: 1xP083-A01-0A

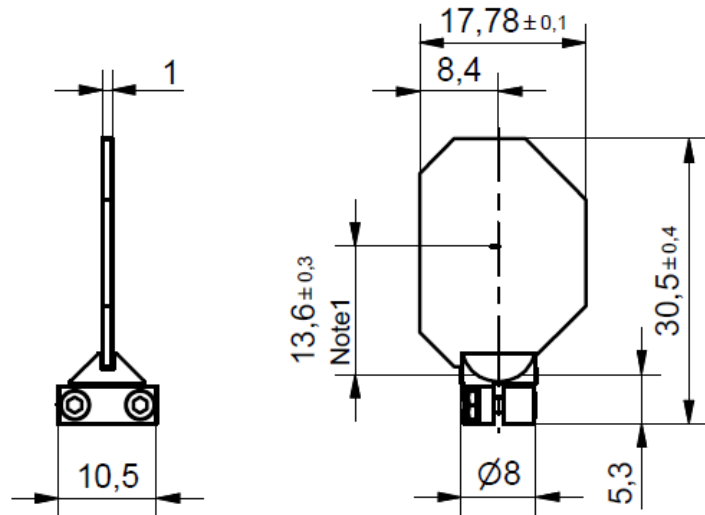
Notes:

1. Dimension from end of the shaft to the center of the clear aperture.
2. Screw size = M1,6x6mm
3. Nut size = M1,6
3. Hex Key Size = 1,5mm
4. Recommended screw torque : 0,25Nm
5. Bore-Diameter 5H7



Y 10 FLAT optoSiC+inclusiv glued mount for 5mm shaft

J = 0,441g*cm²
M = 2,28g



Mirror: 1yP083-A01-0A

Notes:

1. Dimension from end of the shaft to the center of the clear aperture.
2. Screw size = M1,6x6mm
3. Nut size = M1,6
3. Hex Key Size = 1,5mm
4. Recommended screw torque : 0,25Nm
5. Bore-Diameter 5H7

