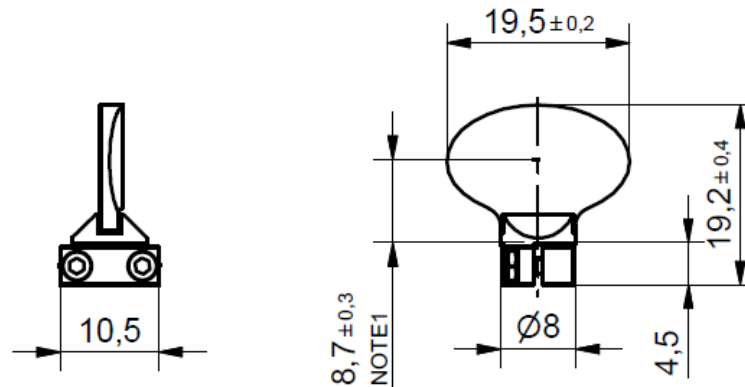


x10G optoSiC+inclusiv glued mount for 3mm shaft

J = 0,40g*cm²
M = 2,43g



Mirror: X10

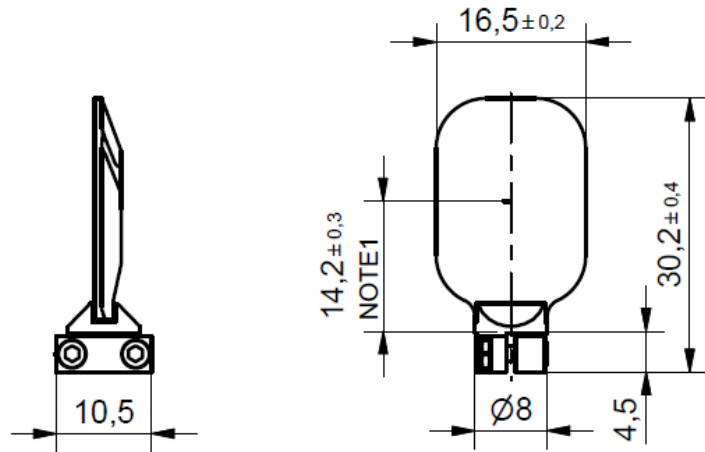
Notes:

1. Dimension from end of the shaft to the center of the clear aperture.
2. Screw size = M1,6x6mm
3. Nut size = M1,6
3. Hex Key Size = 1,5mm
4. Recommended screw torque : 0,25Nm
5. Bore-Diameter 3H7



y10G optoSiC+inclusiv glued mount for 3mm shaft

J = 0,40g*cm²
M = 2,88g



Mirror: Y10

Notes:

1. Dimension from end of the shaft to the center of the clear aperture.
2. Screw size = M1,6x6mm
3. Nut size = M1,6
3. Hex Key Size = 1,5mm
4. Recommended screw torque : 0,25Nm
5. Bore-Diameter 3H7

