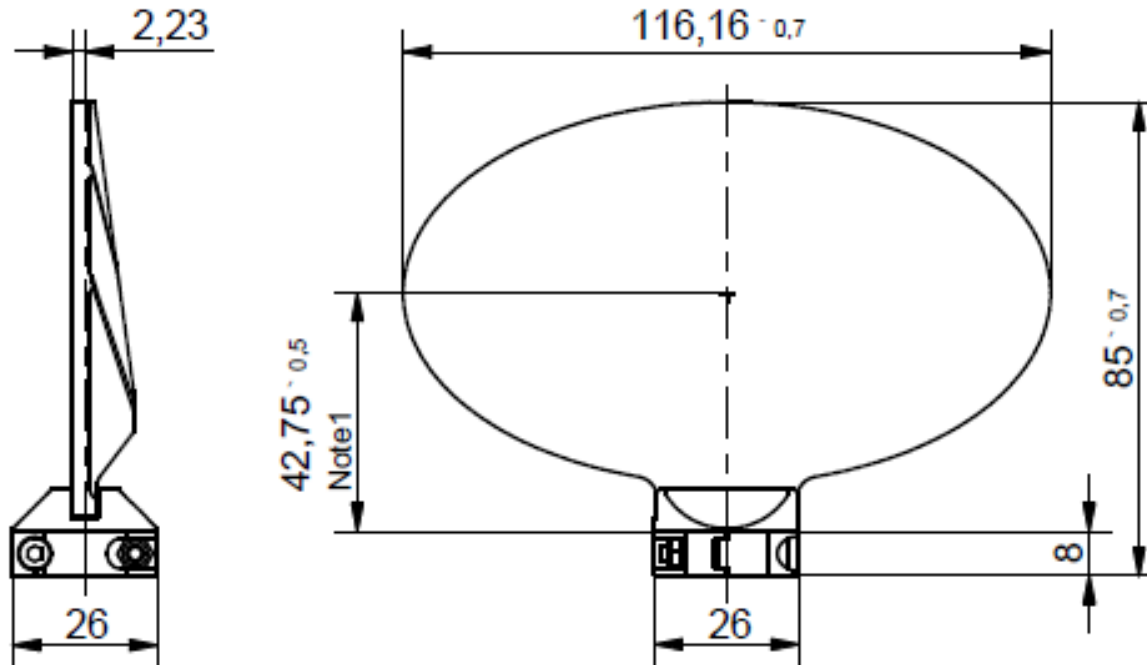


x66G optoSiC+inclusiv glued SM-mount for 12mm shaft

$$J = 564 \text{ g*cm}^2$$
$$M = 94,8 \text{ g}$$



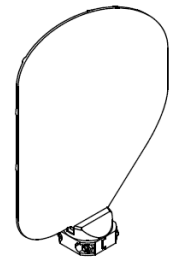
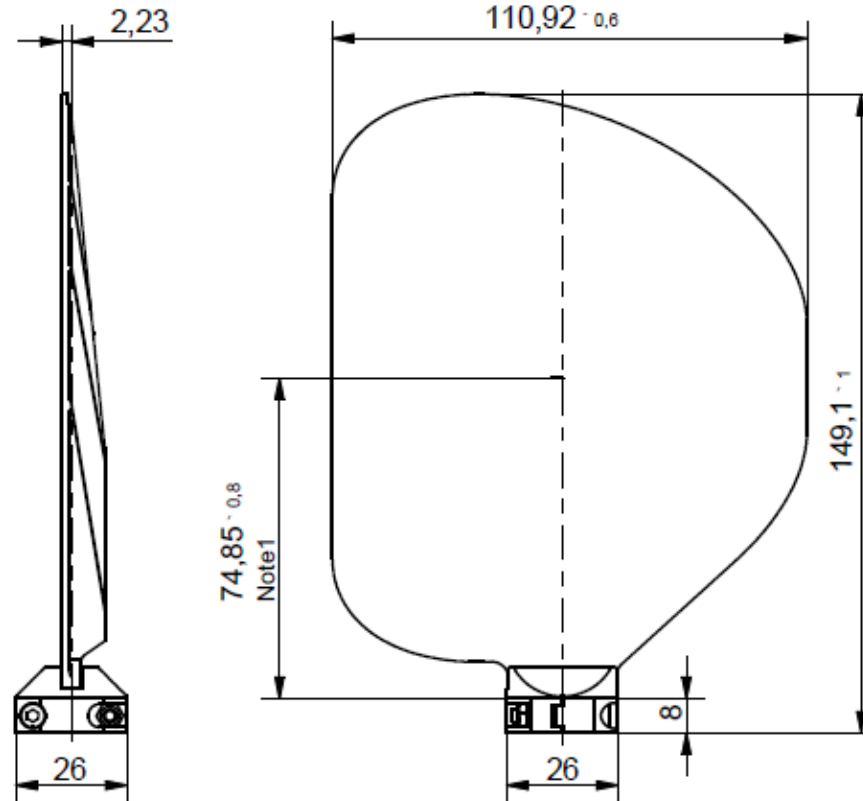
Notes:

1. Dimension from end of the galvo shaft to the center of the clear aperture.
2. Screw size = M3x20mm
3. Nut size = M3
3. Hex Key Size = 2,5mm
4. Recommended screw torque : 1,8Nm
5. Bore-Diameter 12H7



y66G optoSiC+inclusiv glued SM-mount for 12mm shaft

$J = 572 \text{ g*cm}^2$
 $M = 110 \text{ g}$



Notes:

1. Dimension from end of the galvo shaft to the center of the clear aperture.
2. Screw size = M3x20mm
3. Nut size = M3
3. Hex Key Size = 2,5mm
4. Recommended screw torque : 1,8Nm
5. Bore-Diameter 12H7